

Moterm II



- Mobile stand system for control components
- Version with 4 rollers or for floor attachment
- Fixed or height-adjustable version with pneumatic spring

Included in delivery

Moterm with integrated tilt adjustment for adapter plate for control systems
(Please order adapter plate separately)

Technical Data

Material:

Base and stand profile: Aluminium profile system DIN EN 573 EN AW-ALMgSi

Colour:

Base: RAL 9005, black

Stand profile: plain anodised, powder-coated optional

Maximum static load:

80kg

Product Overview

Order No.	Type	Height	Description	Load from ... to
50.01 03 11	Moterm 311	966 mm	fixed height, floor mounting	8 - 80kg
50.01 09 11	Moterm 911	customized	fixed height, floor mounting	customized
50.01 03 12	Moterm 312	750 mm to 1000 mm	manually adjustable, floor mounting	8 - 15kg
50.01 04 12	Moterm 412	750 mm to 1000 mm	manually adjustable, floor mounting	16 - 22kg
50.01 05 12	Moterm 512	750 mm to 1000 mm	manually adjustable, floor mounting	23 - 30kg
50.01 06 12	Moterm 612	750 mm to 1000 mm	manually adjustable, floor mounting	31 - 40kg
50.01 07 12	Moterm 712	750 mm to 1000 mm	manually adjustable, floor mounting	41 - 50kg
50.01 09 12	Moterm 912	750 mm to 1000 mm	manually adjustable, floor mounting	customized
50.01 03 14	Moterm 314	984 mm	fixed height, 4 rollers	8 - 80kg
50.01 09 14	Moterm 319	variable version	fixed height, 4 rollers	customized
50.01 03 15	Moterm 315	750 mm to 1000 mm	manually adjustable, 4 rollers	8 - 15kg
50.01 04 15	Moterm 415	750 mm to 1000 mm	manually adjustable, 4 rollers	16 - 22kg
50.01 05 15	Moterm 515	750 mm to 1000 mm	manually adjustable, 4 rollers	23 - 30kg
50.01 06 15	Moterm 615	750 mm to 1000 mm	manually adjustable, 4 rollers	31 - 40kg
50.01 07 15	Moterm 715	750 mm to 1000 mm	manually adjustable, 4 rollers	41 - 50kg
50.01 09 15	Moterm 915	750 mm to 1000 mm	manually adjustable, 4 rollers	customized

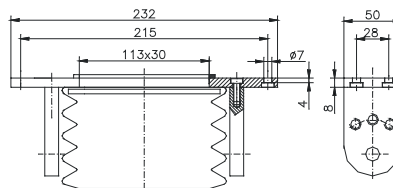
Accessories



Moterm universal adapter plate

Adapter plate
for connecting to the control enclosure

Order No.	Type
50.01 02 03	Adapter plate SL 2000 profile 1
50.01 02 04	Adapter plate SL 2000 profile 2
50.01 02 05	Adapter plate SL 2000 profile 3
50.01 02 06	Adapter plate SL 3000 profile 1
50.01 02 07	Adapter plate SL 3000 profile 2 to 4
50.01 02 08	Adapter plate SL 3000 desk version
50.01 02 09	Universal adapter plate (see diagram)
50.01 02 10	Beckhoff CP 7032 adapter plate
50.01 02 11	ComTronic adapter plate
50.01 02 12	Adapter plate SL 3000 profile 4 (direct installation)
50.01 02 13	Flat control adapter
50.01 02 14	Adapter plate SL 4000 profile 1 - 3
50.01 02 15	Adapter plate SL 4000 desk version



Locking system for version with rollers



Simple adjustment option for height adjustment



Foot stand for floor attachment with levelling unit

Moterm II

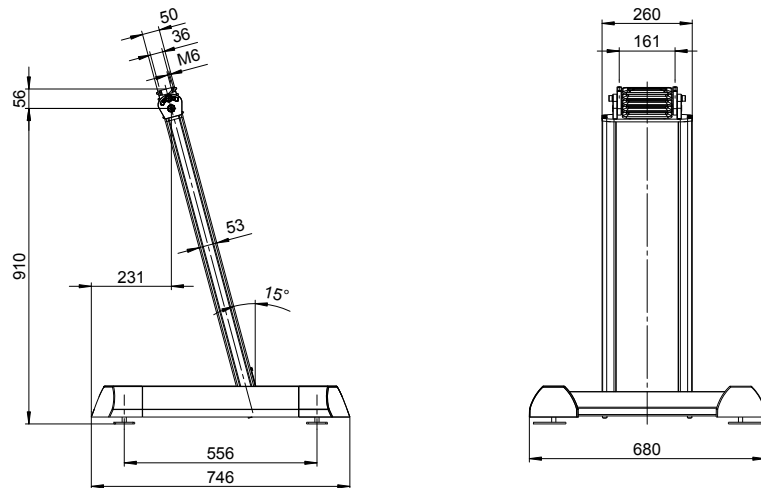


Moterm x11

Version with levelling feet to adjust for floor irregularities – as a stand system or for attaching to the floor

Version with fixed height (966 mm), other height or base dimensions on request

Order No.	Type	Height	Description	Load
50.01 03 11	Moterm 311	966 mm	fixed height, floor mounting	8 - 80 kg
50.01 09 11	Moterm 911	customized	fixed height, floor mounting	customized



Moterm x12

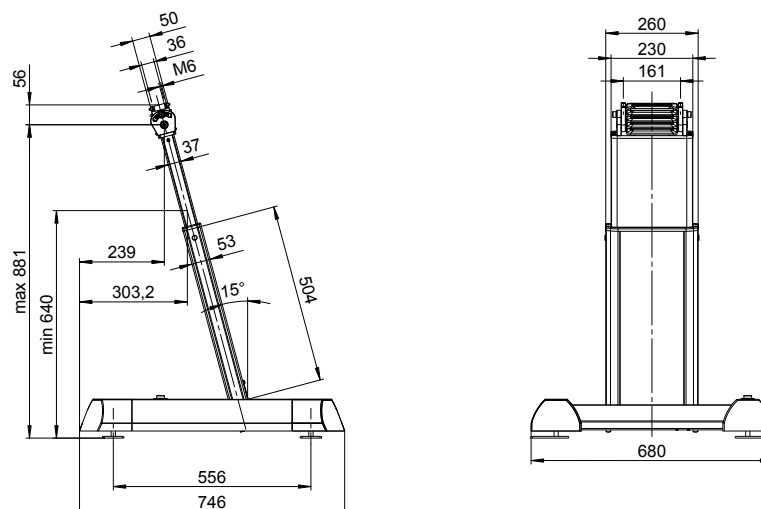
Version with levelling feet to adjust for floor irregularities – as a stand system or for attaching to the floor

Version with pneumatic spring and release mechanism

Height can be adjusted from 750mm to 1000mm

for load ranges from 8 to 50kg; other load values on request

Order No.	Type	Height	Description	Load
50.01 03 12	Moterm 312	750 mm to 1000 mm	manually adjustable, floor mounting	8 - 15 kg
50.01 04 12	Moterm 412	750 mm to 1000 mm	manually adjustable, floor mounting	16 - 22 kg
50.01 05 12	Moterm 512	750 mm to 1000 mm	manually adjustable, floor mounting	23 - 30 kg
50.01 06 12	Moterm 612	750 mm to 1000 mm	manually adjustable, floor mounting	31 - 40 kg
50.01 07 12	Moterm 712	750 mm to 1000 mm	manually adjustable, floor mounting	41 - 50 kg
50.01 09 12	Moterm 912	750 mm to 1000 mm	manually adjustable, floor mounting	customized



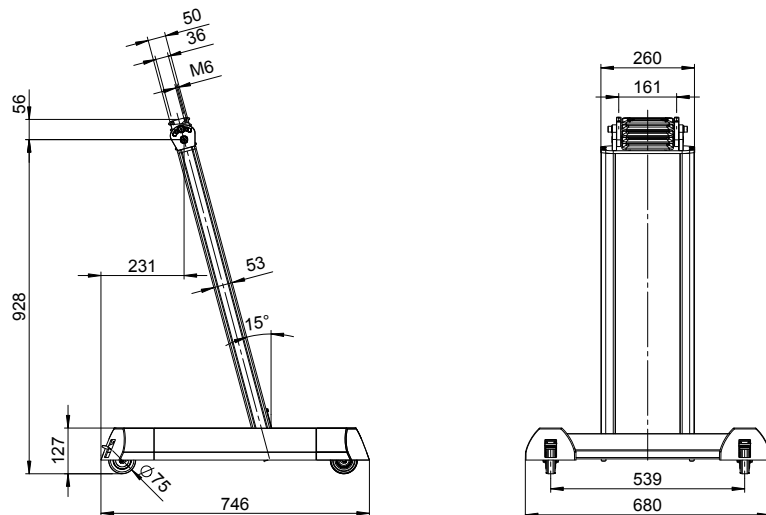


Moterm x14

Version with 4 rollers, 2 movable and 2 locking rollers

Version with fixed height (984 mm), other height or base dimensions on request

Order No.	Type	Height	Description	Load
50.01 03 14	Moterm 314	984 mm	fixed height, 4 rollers	8 - 80 kg
50.01 09 14	Moterm 319	variable version	fixed height, 4 rollers	customized



Moterm x15

Version with 4 rollers, 2 movable and 2 locking rollers, with pneumatic spring and release mechanism

Height can be adjusted from 750mm to 1000mm

for load ranges from 8 to 50kg; other load values on request

Order No.	Type	Height	Description	Load
50.01 03 15	Moterm 315	750 mm to 1000 mm	manually adjustable, 4 rollers	8 - 15 kg
50.01 04 15	Moterm 415	750 mm to 1000 mm	manually adjustable, 4 rollers	16 - 22 kg
50.01 05 15	Moterm 515	750 mm to 1000 mm	manually adjustable, 4 rollers	23 - 30 kg
50.01 06 15	Moterm 615	750 mm to 1000 mm	manually adjustable, 4 rollers	31 - 40 kg
50.01 07 15	Moterm 715	750 mm to 1000 mm	manually adjustable, 4 rollers	41 - 50 kg
50.01 09 15	Moterm 915	750 mm to 1000 mm	manually adjustable, 4 rollers	customized

